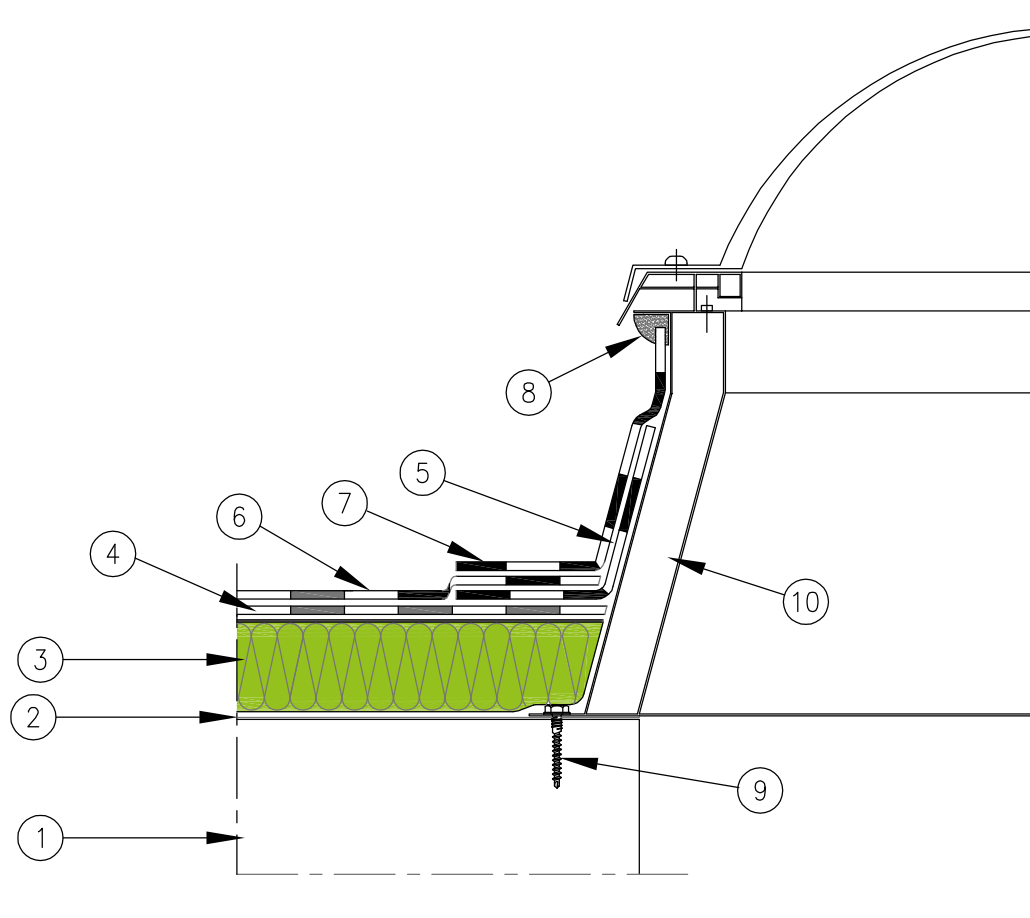


SKYLIGHT DETAIL



1. Corrugated metal sheet support
2. LDPE 30/100 vapour screen
3. Thermal-insulating element
4. Basic membrane
5. Corner strengthening strip created with membrane
6. Finishing membrane
7. Doubling corner created with finishing membrane
8. Sealing with asphalt mastic
9. Mechanical fitting
10. Skylight

